

- A universal tool
- Monolithic structure creation
- Reusable
- Great dimensional precision of the structures



TSTD

**TUNNEL FORMWORK
STANDARD HALF-SHELL**

THE HALF-SHELL FORM:

The half shell is made of a horizontal panel and a vertical panel braced by two struts. A crutch ensures the stability, wheels allow its transit, and jacks complete the configuration possibilities. Position stoppers and link pieces ensure a perfect surfacing formwork top of several half-shells.

BACK PANEL

A back panel can equip the half-shells to cast a bracing wall at the same time as the sails and the foundation.

SLAB AND SAIL EDGES

At each rotation, door, window and ledge frames are implemented. The position and fastening of these reservations are marked on the formworks.

INITIAL FORMWORK

To position with precision the higher sail, the initial formwork is implemented in the half-shells before casting. The initial formwork is made at the same time as the foundation.

RESERVATION FRAME

At each rotation, door, window and ledge frames are implemented. The position and fastening of these reservations are marked on the formworks.





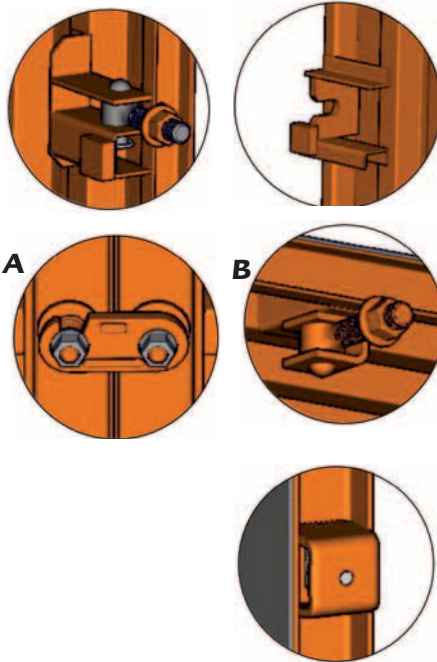
Linkage pieces of the vertical panels

These accessories allow the link and surfacing of the vertical panels. They link the tunnels between each other to form parcels of variable lengths.

Linkage pieces of the horizontal panels

The horizontal panels are linked together by key bolts (A) to form a perfect tunnel. The connection of the tunnels amongst each other are done by eye rods (B).

2/2



Alignment stoppers

They help position the tunnels together. These stoppers guarantee a perfect alignment of the formwork surfaces.

The wheels of the vertical panels (C) and the crutches (D) ease the tunnel demoulding. The tunnels are also equipped with levelling jacks.